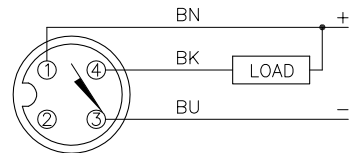


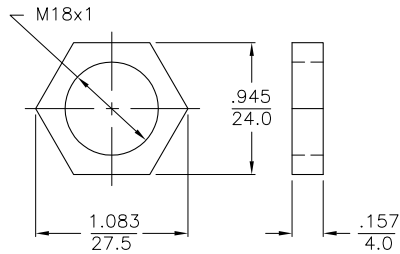
WIRING DIAGRAM



OUTPUT: AN6X

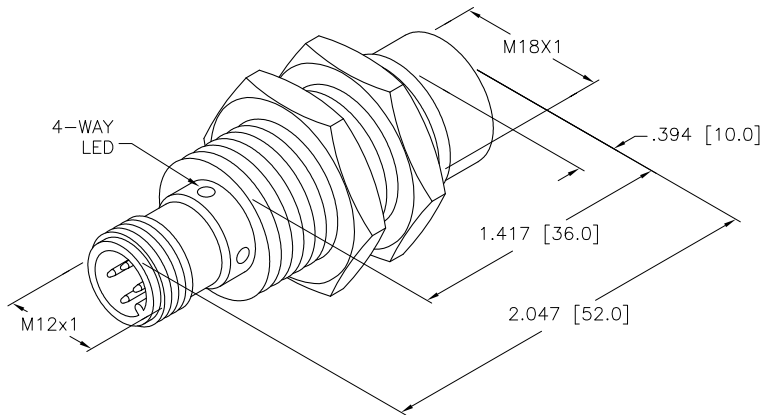
SHORT-CIRCUIT AND OVERLOAD PROTECTED

LOCKNUT LN-SS18



SPECIFICATIONS

RATED OPERATING DISTANCE	12mm = .472"
MOUNTING MODE	NON-FLUSH
MIN. REPEAT ACCURACY	≤ 2%
TEMPERATURE DRIFT	≤ ±10% ≤ ±20%, ≤ -25°C v ≥ +70°C
HYSTERESIS	3-15%
OPERATING TEMPERATURE	-40°C to +100°C (-40°F to +212°F)
RATED OPERATIONAL VOLTAGE	10-30 VDC
RESIDUAL RIPPLE	≤ 10%
DC RATED OPERATIONAL CURRENT	≤ 200 mA
NO-LOAD CURRENT	≤ 15 mA
RESIDUAL CURRENT	≤ 0.1 mA
RATED INSULATION VOLTAGE	≤ 0.5 kV
SHORT-CIRCUIT PROTECTION	INCORPORATED
MAX. VOLTAGE DROP	≤ 1.8 V
WIRE BREAKAGE PROTECTION	INCORPORATED
REVERSE POLARITY PROTECTION	INCORPORATED
OUTPUT FUNCTION	3-WIRE, NORMALLY OPEN, NPN
MAX. SWITCHING FREQUENCY	≤ 1.0 kHz
HOUSING MATERIAL	SST, AISI 316L
ACTIVE FACE	PLASTIC, LCP-GF30
END CAP	PLASTIC, PP
CONNECTOR	M12x1
VIBRATION RESISTANCE	55 Hz, 1 mm AMPLITUDE (IN ALL 3 PLANES)
SHOCK RESISTANCE	30 g, 11 ms
DEGREE OF PROTECTION	IP68/IP69K
SWITCHING STATUS INDICATION	LED, YELLOW



NOTES:

1. UPROX HAS FIELD IMMUNITY, SENSOR IS SUITABLE FOR USE ON RESISTANCE MACHINES.
2. "/S1163" DESIGNATES SPECIAL ELECTRONICS ALLOWS FOR CLOSE MOUNTING WITHOUT INTERFERENCE BETWEEN SENSORS.

SOURCE DRAWING - FOR REFERENCE ONLY

RELATED DOCUMENTS		3RD ANGLE PROJECTION		THIS DRAWING IS PROPERTY OF TURCK INC. USE OF THIS DOCUMENT WITHOUT WRITTEN PERMISSION IS PROHIBITED.		TURCK INC High Technology Sensors and Automation Controls 3000 CAMPUS DRIVE MINNEAPOLIS, MN 55441 1-800-544-7769 (763) 553-7300 (763) 553-0708 fax turck.com	
1. 2. 3. 4.				DRFT	RDS	DATE	09/17/08
MATERIAL		SEE SPECS		DSGN		SCALE	NONE
FINISH		ALL DIMENSIONS DISPLAYED ON THIS DRAWING ARE FOR REFERENCE ONLY		UNIT OF MEASUREMENT		DESCRIPTION	
		CONTACT TURCK FOR MORE INFORMATION		INCH [MILLIMETER]		N112U-EM18WD-AN6X-H1141/S1163	
				DO NOT SCALE THIS DRAWING		IDENTIFICATION NO.	
						M1645353	
						REV	
						A	
A		DRAWING RELEASE		RDS		09/17/08	
REV		DESCRIPTION		BY		DATE	
						ECO NO.	
						FILE: M1645353	
						SHEET 1 OF 1	

A	DRAWING RELEASE	RDS	09/17/08	
REV	DESCRIPTION	BY	DATE	ECO NO.